

MPC

Compact Pool

Self-Priming Swimming Pool Pumps



Construction

Self-priming swimming pool pumps with built-in strainer and motor insulated from pumped water. The pump is made with high quality plastic materials, corrosion and sand erosion resistant. With stainless steel diffuser. Base-plate kit.

Applications

- For water circulation in swimming pool filtration systems.
- For clean or slightly dirty water with solids in suspension.

Operating conditions

Water temperature up to 60 °C.
 Ambient temperature up to 40 °C.
 Maximum permissible pressure in the pump casing 2,5 bar.
 Continuous duty.

Motor

2-pole induction motor, 50 Hz (n ≈ 2800 rpm).

MPC: three-phase 230/400 V ± 10%.

MPCM: single-phase 230 V ± 10%, with thermal protector. Capacitor inside the terminal box.

Insulation class F.

Protection IP X4.

Classification scheme IE3 for three-phase motors from 0,75 kW.

Constructed in accordance with: EN 60034-1; EN 60034-30-1. EN 60335-1, EN 60335-2-41.

Special features on request

- Other voltages.
- Frequency 60 Hz (as per 60 Hz data sheet).

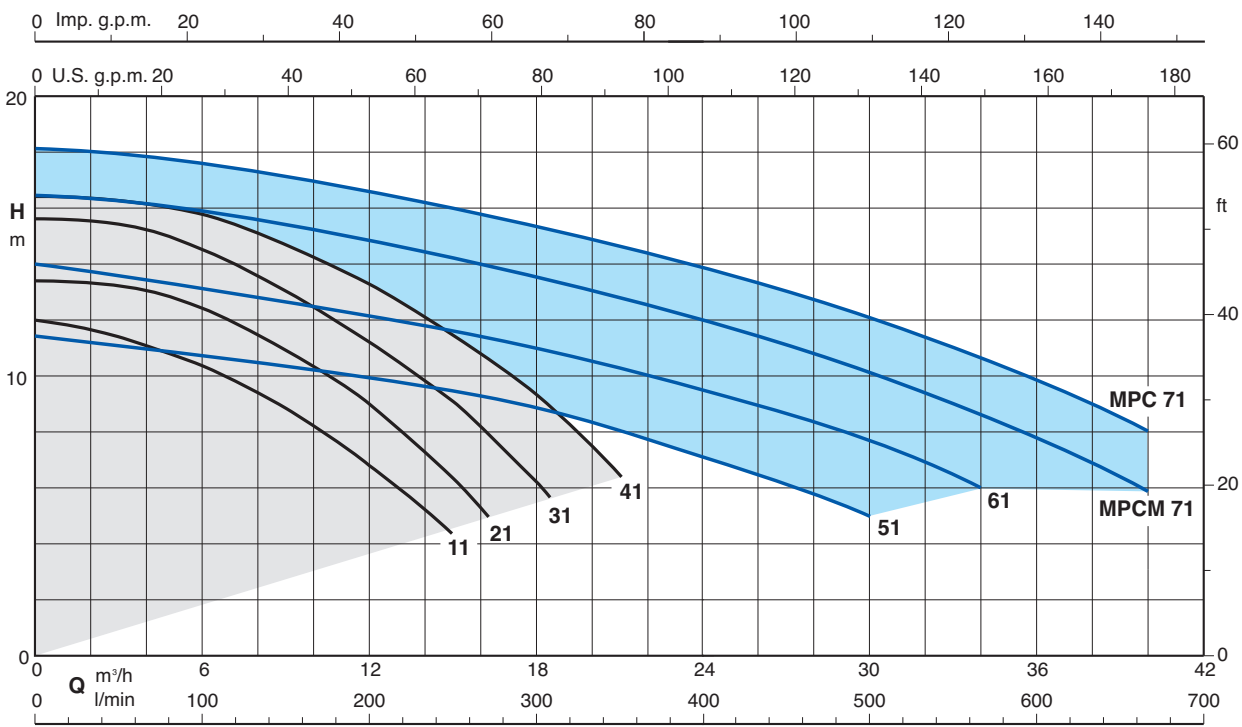
Certification marks for MPCM, up to 1,5 kW:



Materiali

Component	Material
Pump casing	Glass reinforced
Diffuser cover	thermoplastic
Impeller	PPO-GF30, NORYL
Strainer cover	Transparent polycarbonate, LEXAN
Strainer basket	Polypropylene
Diffuser funnel and wear-ring	Cr-Ni-Mo steel AISI 316
Mechanical seal	Ceramic alumina, Carbon, FPM

Coverage chart n ≈ 2800 rpm



Performance $n \approx 2800$ rpm

	3~ 230 V 400 V		1~ 230 V P ₁		P ₂		Q									
	A	A	A	kW	kW	HP		m ³ /h	0	3	6	9	12	15	18	21
MPC 11	2,8	1,6	MPCM 11	3,3	0,73	0,37	0,5	H m	11,9	11,4	10,3	8,9	6,8	4,2		
MPC 21/A	3	1,7	MPCM 21/A	4,5	1	0,55	0,75		13,4	13,3	12,4	10,9	9	6,3		
MPC 31/B	3,7	2,2	MPCM 31/A	5,4	1,2	0,75	1		15,6	15,5	14,5	13	11,2	9,1	6,2	
MPC 41/A	4,7	2,7	MPCM 41	7	1,6	1,1	1,5		16,4	16,2	15,8	14,7	13,3	11,4	9,3	6,4

	3~ 230 V 400 V		1~ 230 V P ₁		P ₂		Q												
	A	A	A	kW	kW	HP		m ³ /h	0	3	9	15	18	21	24	27	30	34	40
MPC 51/A	4,7	2,7	MPCM 51	7	1,6	1,1	1,5	H m	11,5	11	10,5	9,5	9	8	7	6	5		
MPC 61/A	6,2	3,6	MPCM 61	9,2	2	1,5	2		14	13,5	12,5	11,5	11	10,5	9,5	8,5	7,5	6	
			MPCM 71/B	11,2	2,5	1,8	2,5		16,4	15,9	14,9	14	13,4	12,7	12,1	11,3	10,2	8,5	5,8
MPC 71/B	9,15	5,3				2,2	3		18,2	18	17	16	15,5	14,5	14	13	12	10,5	8

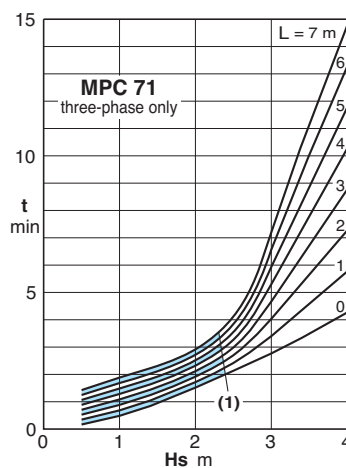
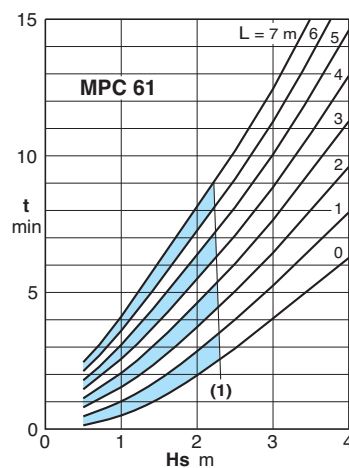
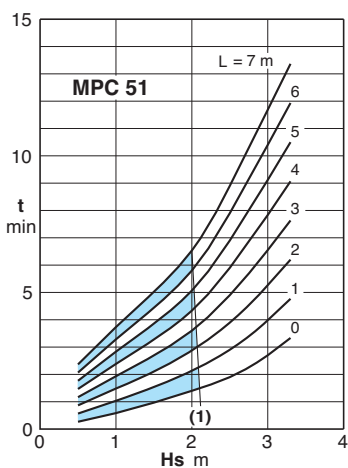
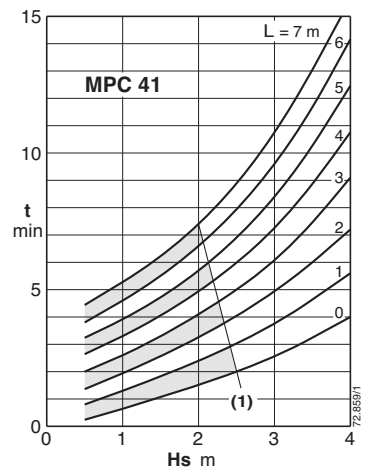
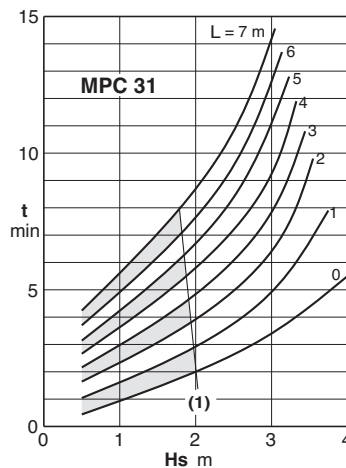
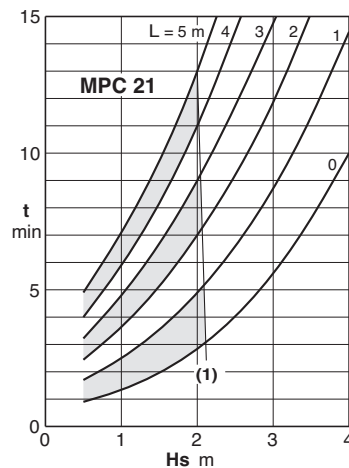
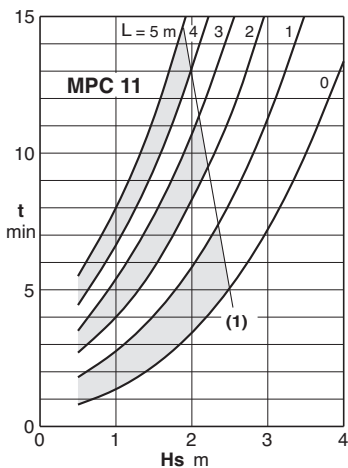
P₁ Max. power input.

P₂ Rated motor power output.

H Total head in m.

Tolerances in accordance with UNI EN ISO 9906:2012

Self-Priming Capability with the pump located above the water level

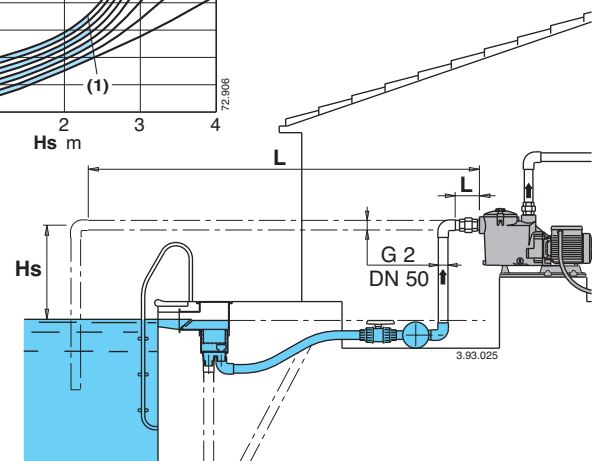


(1) Application limit for automatic self-repriming at each start-up, without check valve.

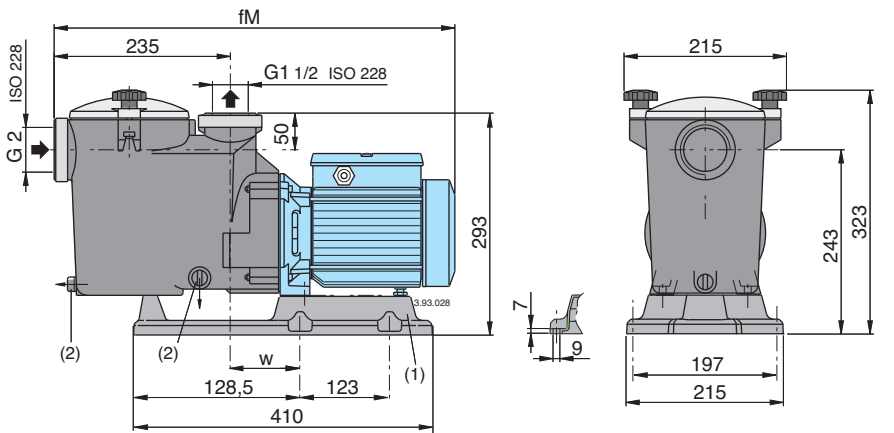
L (m) Horizontal length of suction pipe above the water level.

H_s (m) Suction lift.

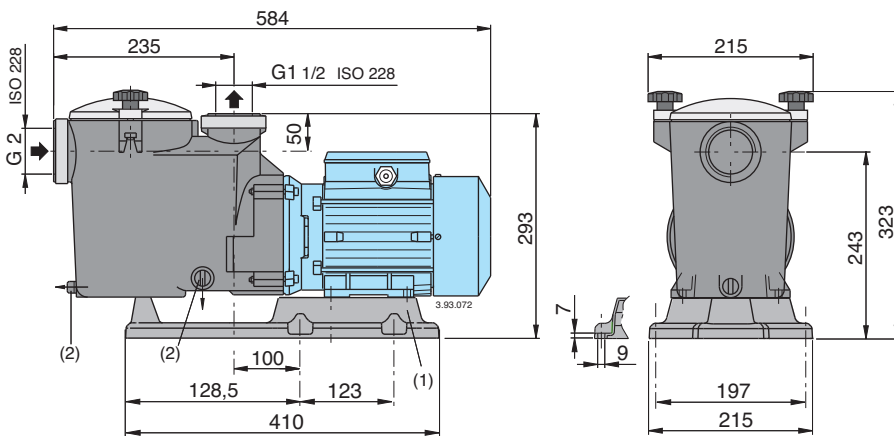
t (min) Self-priming time.



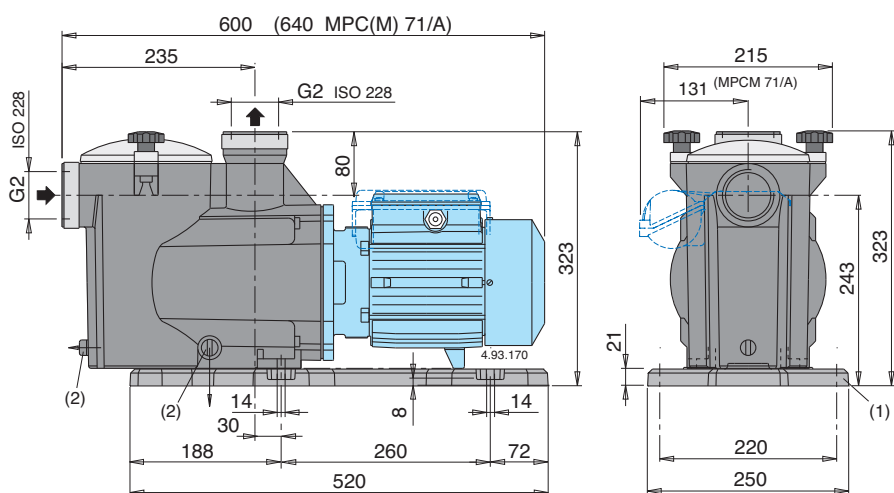
Dimensions and weights



TYPE	mm		kg	
	fM	w	MPC	MPCM
MPC 11 - MPCM 11	504	100	8,9	9
MPC 21/A - MPCM 21/A	536	100	10,2	11,3
MPC 31/B - MPCM 31/A	536	100	12,0	12,2



MPCM 41 17,5 kg
MPC 41/A 16,0 kg



MPCM 51 18,9 kg
MPC 51/A 17,4 kg
MPCM 61 20,7 kg
MPC 61/A 19,6 kg
MPCM 71/B 23,8 kg
MPC 71/B 22,5 kg

(1) Base-plate kit

(2) Draining

Features

