

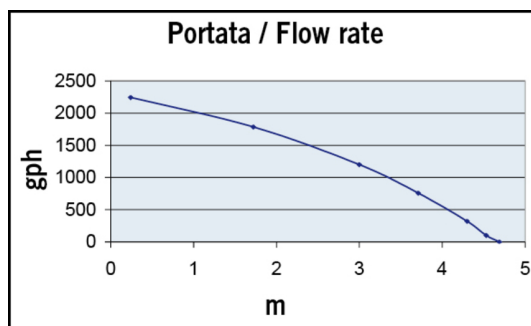
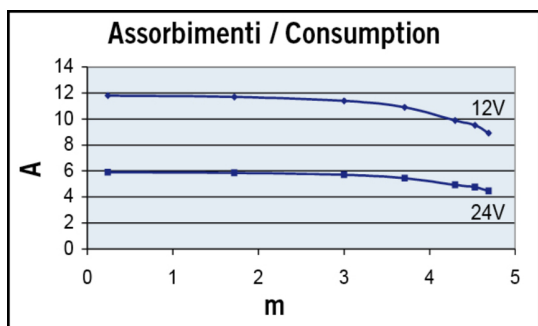


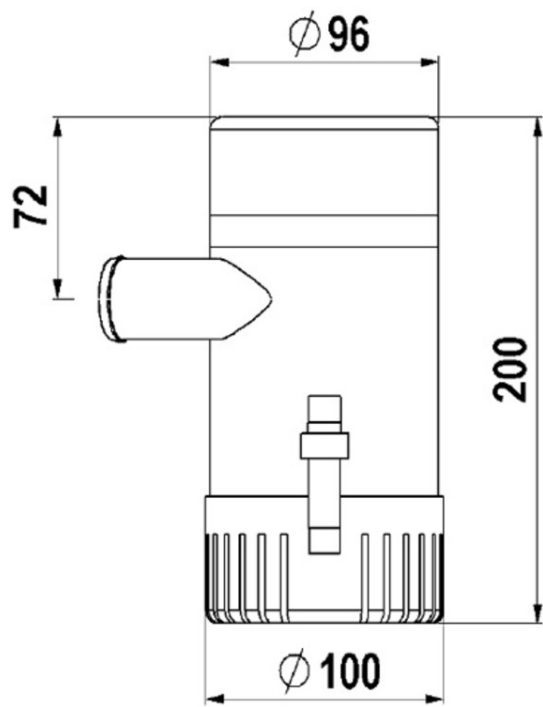
UP2000 Submersible pump 126 l/min

Quick Overview

Completely submersible bilge pumps. Compact design with ABS material housing, corrosion resistant.

Part n.	Name	Voltage (V)	Consumption (A)	Fuse (A)	Lift (m)	Flow rate (l/min)	Hose (mm)	Motor power (W)	Dimensions (mm)	Weight (kg)
16016012	UP2000	12	12	25	4	126	32	150	Ø96x200	2
16016013	UP2000	24	6	15	4	126	32	150	Ø96x200	2





Dim. 200 x Ø 96