

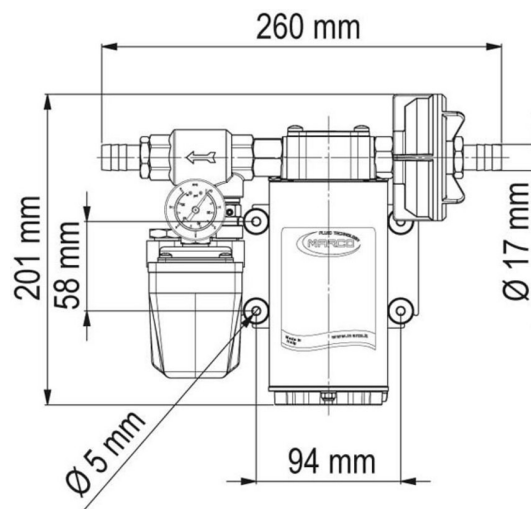
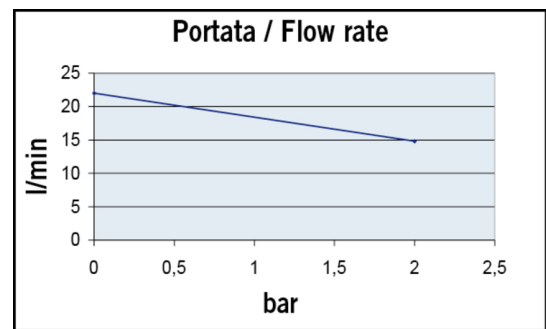
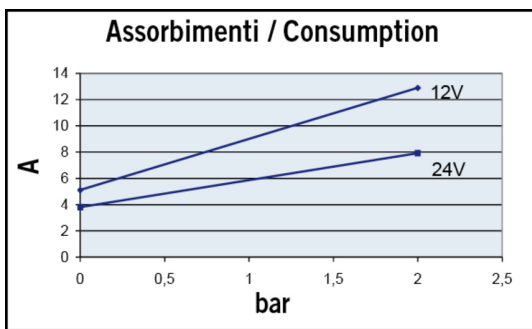


## UP6/A water pressure system 26 l/min

### Quick Overview

Self-priming electric pumps with PTFE helical gears, equipped with in-line filter, pressure switch, check valve to be used as automatic pumps for water pressure systems on boats, mobile homes etc. Nickelplated brass body, stainless steel shaft.

Part n.	Name	Voltage (V)	Consumption (A)	Fuse (A)	Self-priming (m)	Flow rate (l/min)	Pressure (bar)	Ports (BSP)	Hose (ID) (mm)	IP Protection	Motor power (W)	Weight (kg)
16462012	UP6/A	12	8	15	1,5	26	2	1/2"	16	44	180	4
16462013	UP6/A	24	4	10	1,5	26	2	1/2"	16	44	180	4



**AT2 accumulator tank, 5 l , white**    **ATX2 stainless steel accumulator  
tank 2 l with 1/2" T-nipple**